

Agie wire EDM's + System 3R tooling

Ledger for EconoRulers

Older machines

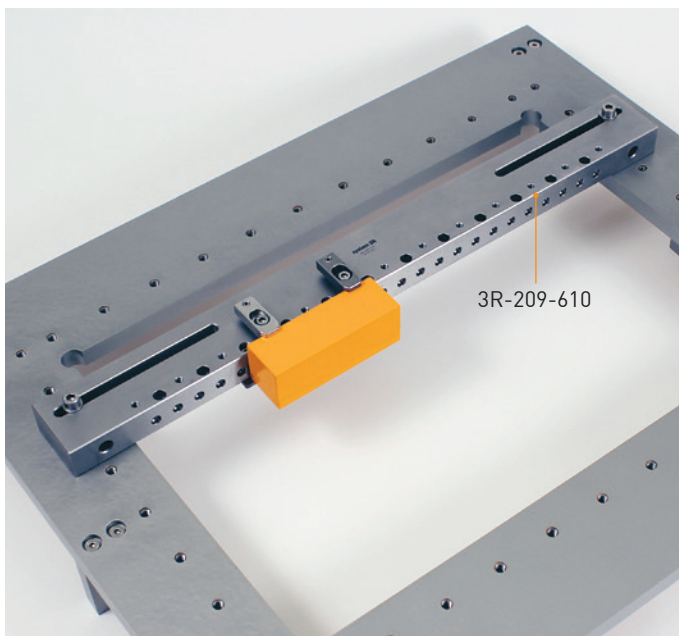


Agie

EconoRulers are supplied by kits. For more info, look for the various TPS-sheets covering the various 3R-209-xxx kits and accessories. The EconoRulers come by four different lengths: L=350, 610, 860 and 960 mm.

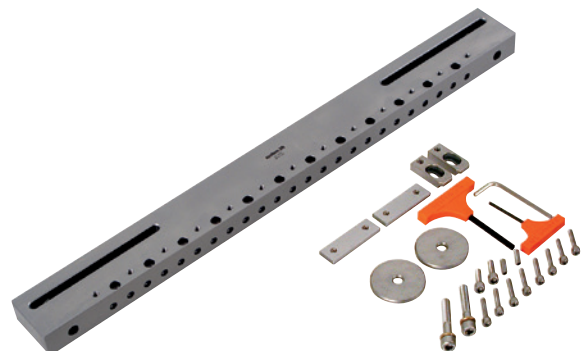
Model								
	c-c X	Table X	3R-209-xxx	Overhang X*	c-c Y	Table Y	3R-209-xxx	Overhang Y*
Attak	469	700	610	-45	369	450	610	80
Celebration 2 (Parallel)	469	700	610	-45	-	450	N.a.	N.a.
Celebration 2 (Square)	469	700	610	-45	369	450	610	80
Challenge 2 (Parallel)	469	700	610	-45	-	450	N.a.	N.a.
Challenge 2 (Square)	469	700	610	-45	369	450	610	80
Challenge 3 (Parallel)	619	850	860	5	-	550	N.a.	N.a.
Challenge 3 (Square)	619	850	860	5	469	550	610	30
Classic 2 (Parallel)	469	700	610	-45	-	450	N.a.	N.a.
Classic 2 (Square)	469	700	610	-45	369	450	610	80
Classic 3 (Parallel)	619	850	860	5	-	550	N.a.	N.a.
Classic 3 (Square)	619	850	860	5	469	550	610	30
Evolution 2 (Parallel)	469	700	610	-45	-	450	N.a.	N.a.
Evolution 2 (Square)	469	700	610	-45	369	450	610	80
Evolution 3 (Parallel)	619	850	860	5	-	550	N.a.	N.a.
Evolution 3 (Square)	619	850	860	5	469	550	610	30
Excellence 2 (Parallel)	469	700	610	-45	-	450	N.a.	N.a.
Excellence 2 (Square)	469	700	610	-45	369	450	610	80
Excellence 3 (Parallel)	619	850	860	5	-	550	N.a.	N.a.
Excellence 3 (Square)	619	850	860	5	469	550	610	30
Progress 2	469	700	610	-45	369	450	610	80
Progress 3	619	850	860	5	469	550	610	30

* Overhang means a stick-out of EconoRuler that may collide with tankwall (only valid if value is positive and box is colored orange). In order to solve this risk of collision, it may require the EconoRuler to be cut off.



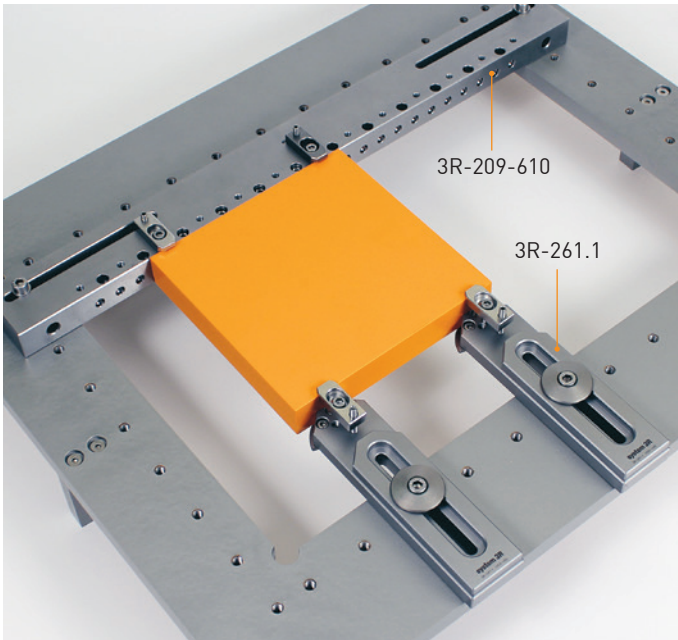
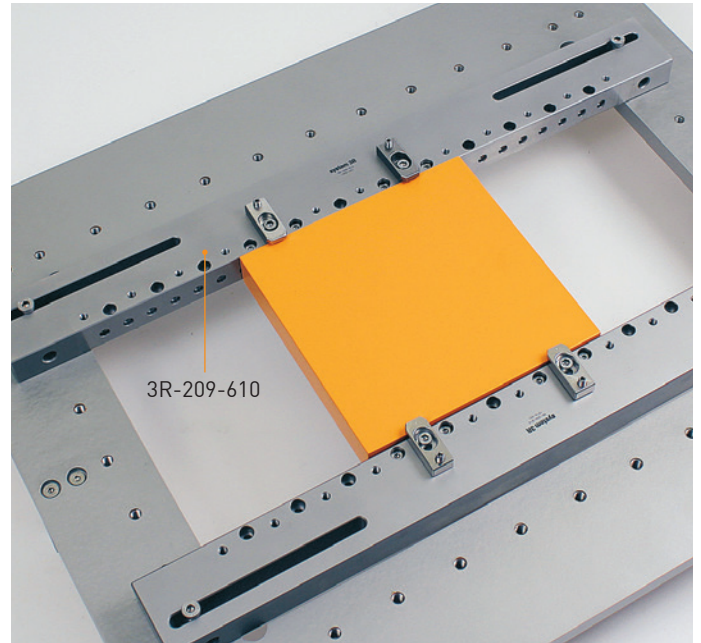
EconoRuler kit, 3R-209-XXX.1

Note: There are four different kits to choose between. 350 mm, 610 mm, 860 mm or 960 mm EconoRuler length.



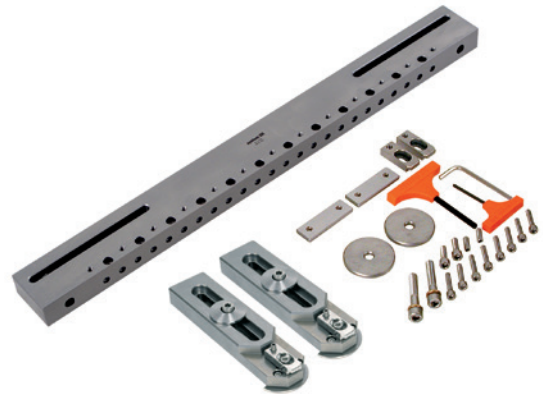
EconoRuler kit, 3R-209-XXX.2

Note: There are four different kits to choose between.
350 mm, 610 mm, 860 mm or 960 mm EconoRuler length.



EconoRuler kit, 3R-209-XXX.3

Note: There are four different kits to choose between.
350 mm, 610 mm, 860 mm or 960 mm EconoRuler length.



EconoRuler kit, 3R-209-XXX.4

Note: There are four different kits to choose between.
350 mm, 610 mm, 860 mm or 960 mm EconoRuler length.

