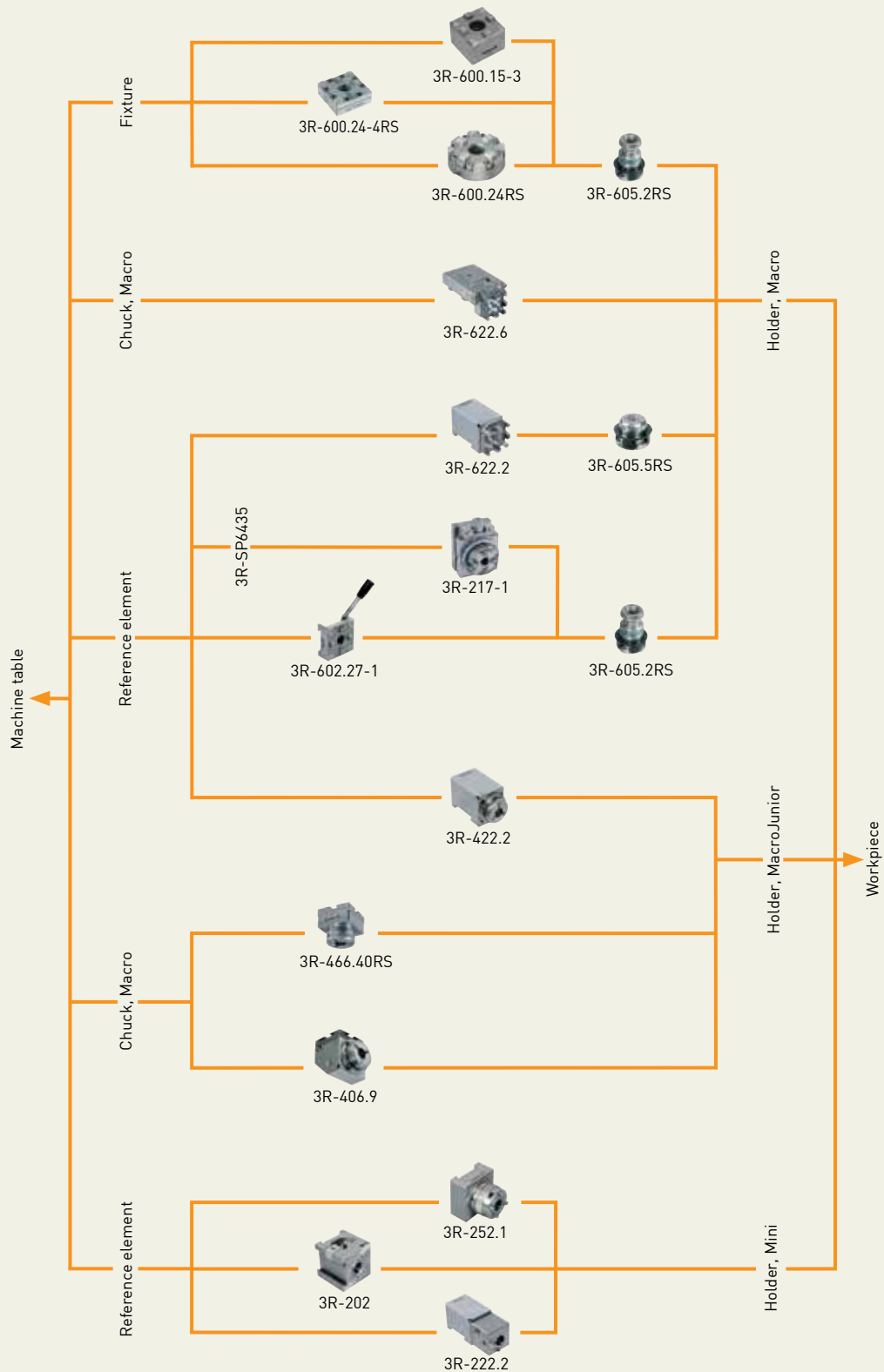


Chuck adapters

A wide range of chuck adapters for clamping workpieces on pallets in the Macro, MacroJunior and Mini systems. An ever-growing field of application is the manufacture of precision parts for the medical industry; another is the manufacture of electrodes for die-sinking EDM.

The chuck adapters can interconnect all your machines to form a single system.

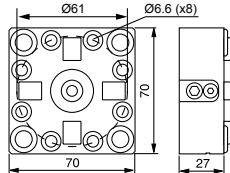


Chuck adapters

Manual chuck, Macro, 3R-600.24-4RS

Chuck for Macro holder. Mounts on a suitable fixture.

- Tightening torque 6 Nm
- Clamping force 6 kN
- Fixed index positions 4x90°
- Required drawbar 3R-605.2RS
- Ground front edge
- Weight 1 kg.

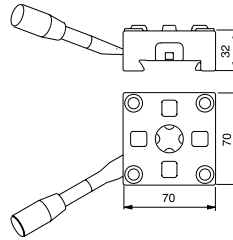


Manual chuck, Macro, 3R-602.27-1

Chuck adapter with lever for Macro holder in the WEDM system.

Note: When mounted on the reference element, the two clamping jaws must be tightened with the same torque, 4 Nm.

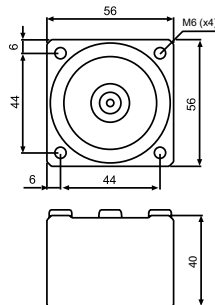
- Clamping force 6 kN
- Fixed index positions 4x90°
- Supplied with drawbar 3R-605.27RS
- Weight 1.1 kg.



Pneumatic chuck, Macro, 3R-600.15-3

Pneumatic chuck for permanent mounting on the machine table.

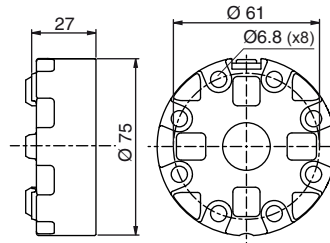
- Clamping force 4.5 kN
- Fixed index positions 4x90°
- Supplied with drawbar 3R-605.2RS
- Weight 0.8 kg.



Manual chuck, Macro, 3R-600.24RS

Manual chuck for Macro holder. Designed for permanent mounting.

- Tightening torque 6 Nm
- Clamping force 6 kN
- Fixed index positions 4x90°
- Required drawbar 3R-605.2RS
- Weight 0.7 kg.

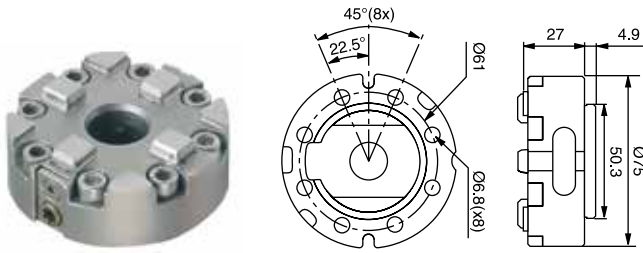


Chuck adapters

Manual chuck, Macro, 3R-600.23RS

Manual chuck with mounting flange for Macro holder. Designed for permanent mounting.

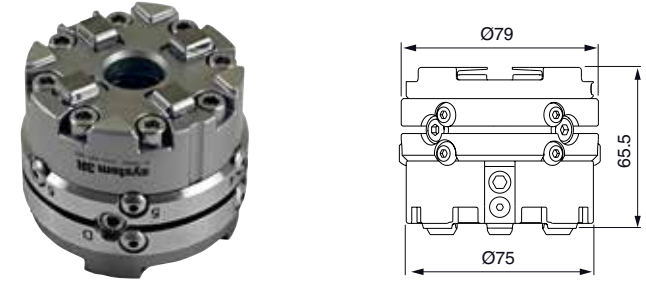
- Clamping force 6 kN
- Fixed index positions 4x90°
- Required drawbar 3R-605.2RS
- Tightening torque 6 Nm
- Weight 0.7 kg.



Manual chuck, Macro, D-30205

Levelling head with both vertical and horizontal adjustment.

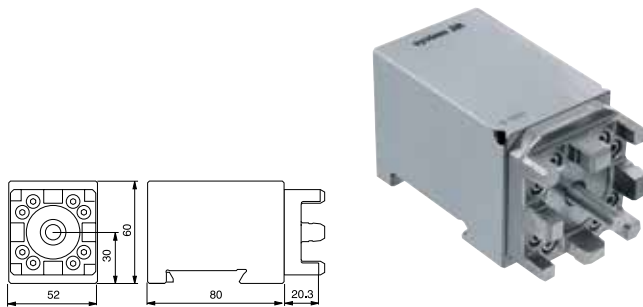
- Clamping force 6 kN
- Maximum workpiece load 6 Nm.
- Required drawbar 3R-605.2RS
- Tightening torque 6 Nm
- Maximum rpm 200.
- Weight 1.8 kg.



Manual chuck, Macro, 3R-622.2

Chuck adapter for Macro holders in the WEDM system.

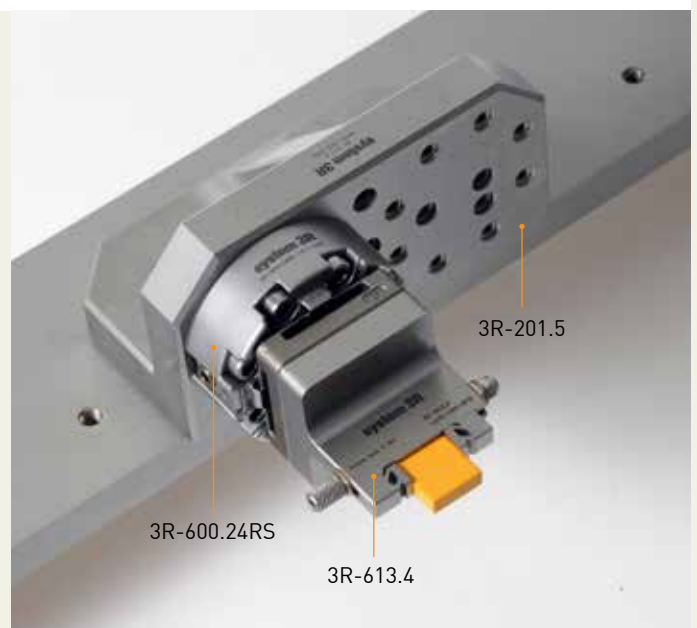
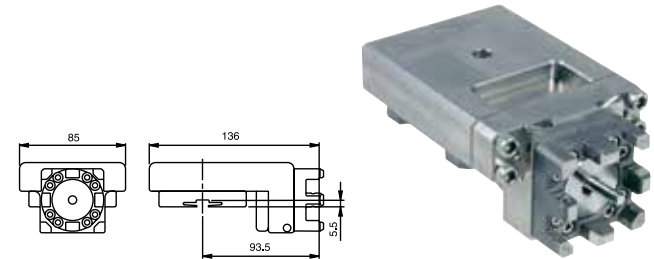
- Tightening torque 7 Nm
- Clamping force 6 kN
- Fixed index positions 4x90°
- Supplied with drawbar 3R-605.5RS
- Weight 1.9 kg.



Manual chuck, Macro, 3R-622.6

Chuck adapter for mounting Macro holders 90° in the Macro system.

- Tightening torque 5 Nm
- Clamping force 6 kN
- Fixed index positions 4x90°
- Supplied with drawbar 3R-605.5RS
- Ready for code carrier holder 3R-U30638
- Can be adapted to automatic changing with 3R-WP1
- Weight 2.3 kg.

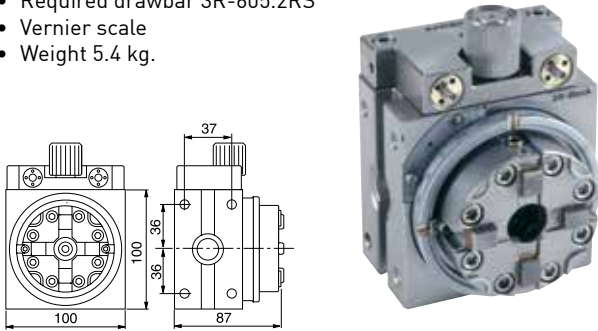


Chuck adapters

3R-block, Macro, 3R-217-1

Manual Macro chuck. For vertical or horizontal mounting on the machine table, or alternatively the WEDM system with the aid of 3R-SP6435.

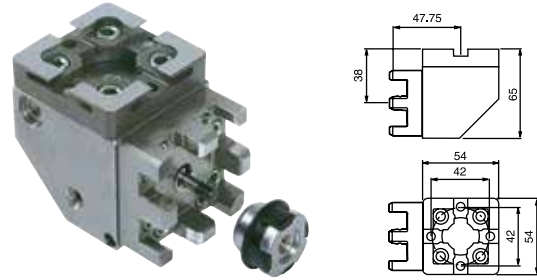
- Tightening torque 6 Nm
- Clamping force 6 kN
- Fixed index positions 24x15°
- Required drawbar 3R-605.2RS
- Vernier scale
- Weight 5.4 kg.



Manual chuck adapter 90°, Macro-Macro, 3R-652.9

For horizontal mounting of Macro holders.

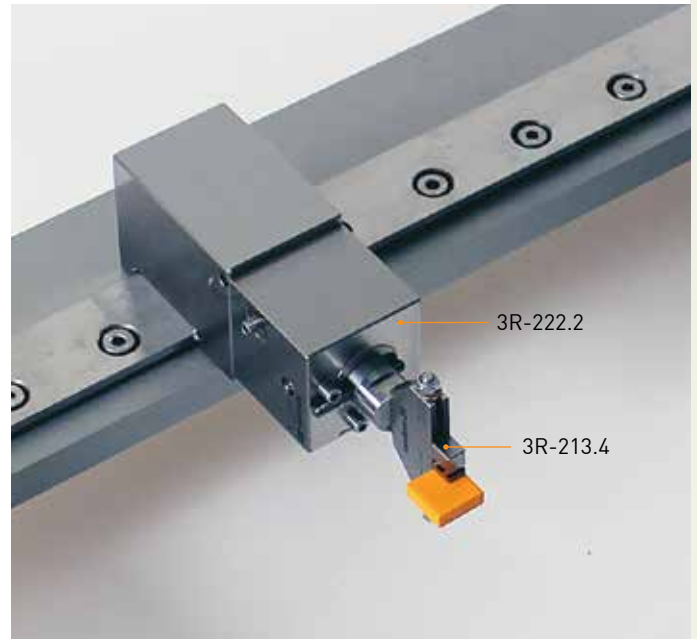
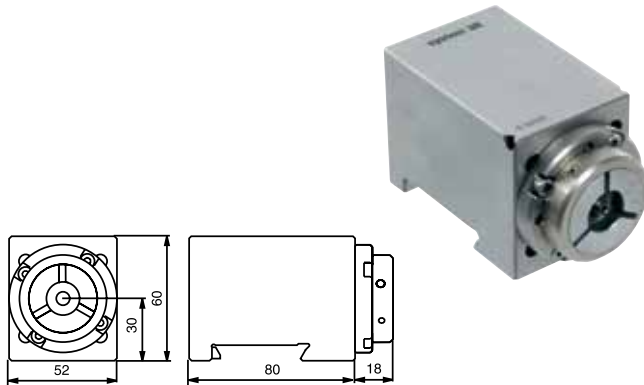
- Tightening torque 6 Nm
- Clamping force 6 kN
- Fixed index positions 4x90°
- Supplied with drawbar 3R-605.5RS
- Weight 2.4 kg.



Manual chuck, MacroJunior, 3R-422.2

Chuck adapter with axial locking screw for MacroJunior holders in the WEDM system.

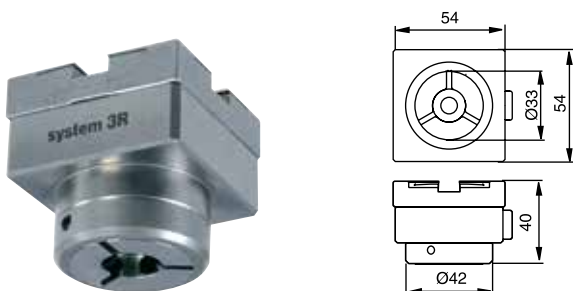
- Tightening torque 7 Nm
- Clamping force 6 kN
- Fixed index positions 3x120°
- Weight 1.8 kg.



Manual chuck adapter, MacroJunior, 3R-466.40RS

Chuck adapter, stainless steel, for MacroJunior holders in the Macro system. Axial locking screw.

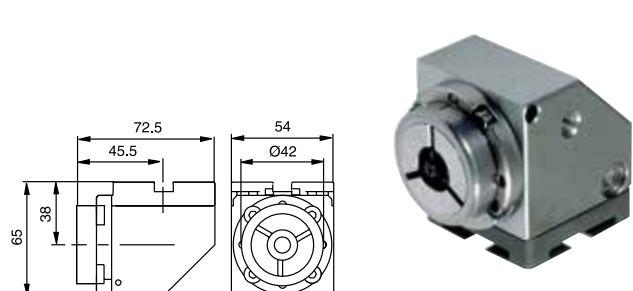
- Tightening torque 6 Nm
- Clamping force 6 kN
- Fixed index positions 3x120° and 4x90°
- Weight 0.4 kg.



Manual chuck adapter, MacroJunior, 3R-406.9

For horizontal mounting of MacroJunior holder in the Macro system. Axial locking screw.

- Tightening torque 6 Nm
- Clamping force 6 kN
- Fixed index positions 3x120°
- Adapted for automatic changing
- Weight 1.2 kg.

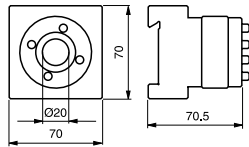


Chuck adapters

Manual chuck adapter, Mini, 3R-252.1

Chuck adapter with dual hydraulic chambers for Mini holders in the WEDM-system.

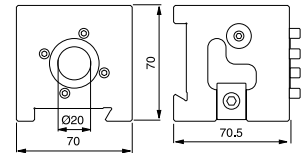
- Fixed index positions 4x90°
- Weight 1.6 kg.



MiniBlock, 3R-202

Manual chuck with dual hydraulic chambers for Mini holders. Vertical or horizontal mounting in the WEDM system.

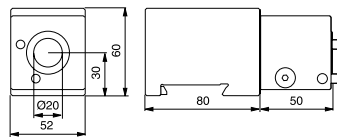
- Fixed index positions 4x90°
- Weight 1.9 kg.



Manual chuck adapter, Mini, 3R-222.2

Chuck adapter with dual hydraulic chambers for Mini holders in the WEDM-system.

- Fixed index positions 2x90°
- Weight 2.5 kg.



Locking ring key, 3R-605-GE

To lift the drawbar locking ring.

- Supplied in sets of 2.



Drawbars

3R-405.21RS

- Drawbar $\varnothing 15 \times 24$ mm.



3R-605.5RS

- Drawbar $\varnothing 20 \times 19$ mm.



3R-605.2RS

- Drawbar $\varnothing 20 \times 36.9$ mm with flushing hole $\varnothing 7$ mm.



3R-605.27RS

- Drawbar $\varnothing 20 \times 27$ mm.

