

Makino wire EDM's + System 3R tooling

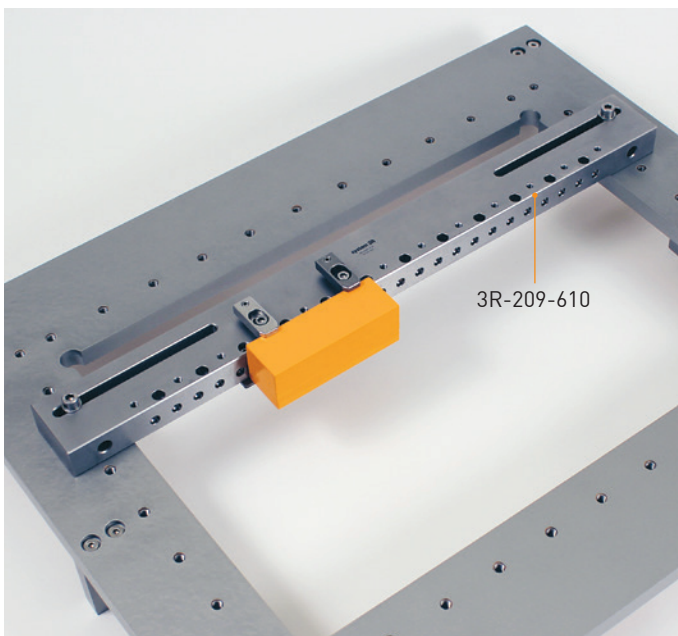
# Ledger for EconoRulers



## Makino

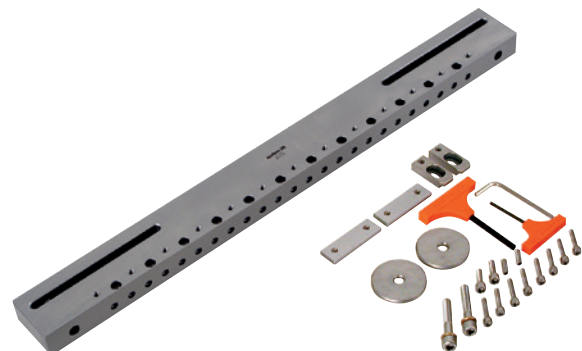
EconoRulers are supplied by kits. For more info, look for the various TPS-sheets covering the various 3R-209-xxx kits and accessories. The EconoRulers come by four different lengths: L=350, 610, 860 and 960 mm.

Model	c-c X	Table X	3R-209-xxx	Overhang X*	c-c Y	Table Y	3R-209-xxx	Overhang Y*
PX36	750	910	860	-25	570	730	610	-60
U3 H.E.A.T. (Square)	490	630	610	-10	370	450	610	80
U3 (U-shape)	490	630	610	-10	-	460	N.a.	N.a.
U3i (Square)	490	630	610	-10	370	450	610	80
U6 H.E.A.T. (Square)	730	910	860	-25	550	710	610	-50
U6 (U-shape)	730	910	860	-25	-	710	N.a.	N.a.
U6i (Square)	730	910	860	-25	550	710	610	-50
U32j (Square)	470	630	610	-10	370	450	610	80
U32j (U-shape)	470	630	610	-10	-	460	N.a.	N.a.
U53j (Square)	650	810	860	25	470	550	610	30
U53j (U-shape)	650	810	860	25	-	560	N.a.	N.a.
U53Tj (Square)	650	810	860	25	470	550	610	30
U53Tj (U-shape)	650	810	860	25	-	560	N.a.	N.a.
U86 (L-shape)	910	1220	960	-130	-	910	N.a.	N.a.
U1310	1410	1720	N.a.	N.a.	-	1475	N.a.	N.a.
UP6	750	910	860	-25	570	730	610	-60
UP32j (Square)	470	630	610	-10	370	450	610	80
UP32j (U-shape)	470	630	610	-10	-	460	N.a.	N.a.
UP53j (Square)	650	810	860	25	470	550	610	30
UP53j (U-shape)	650	810	860	25	-	560	N.a.	N.a.
UPV-3	470	630	610	-10	370	450	610	80
UPV-5	650	810	860	25	470	550	610	30
W32FB (Square)	470	630	610	-10	370	450	610	80
W32FB (U-shape)	470	630	610	-10	-	460	N.a.	N.a.
W53FB (Square)	650	810	860	25	470	550	610	30
W53FB (U-shape)	650	810	860	25	-	560	N.a.	N.a.



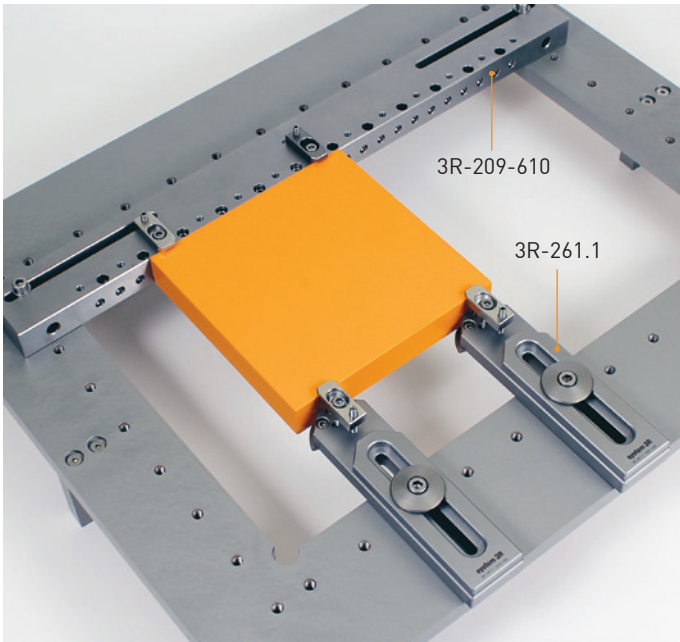
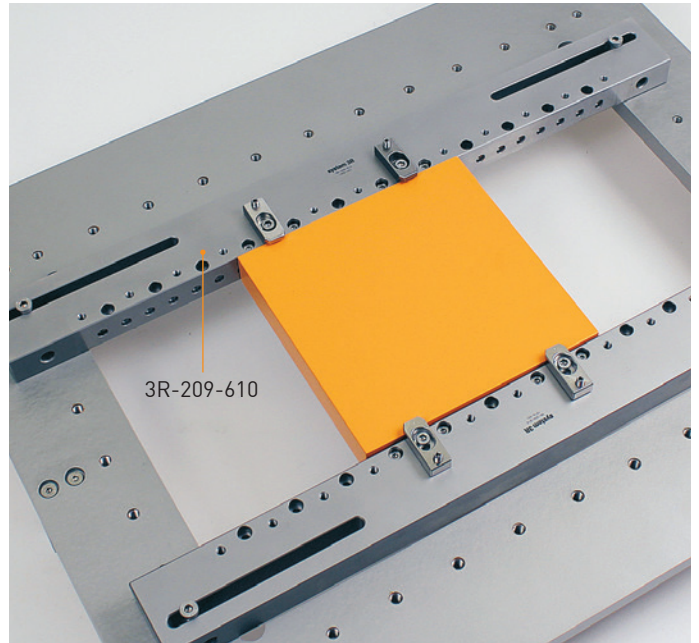
### EconoRuler kit, 3R-209-XXX.1

Note: There are four different kits to choose between. 350 mm, 610 mm, 860 mm or 960 mm EconoRuler length.



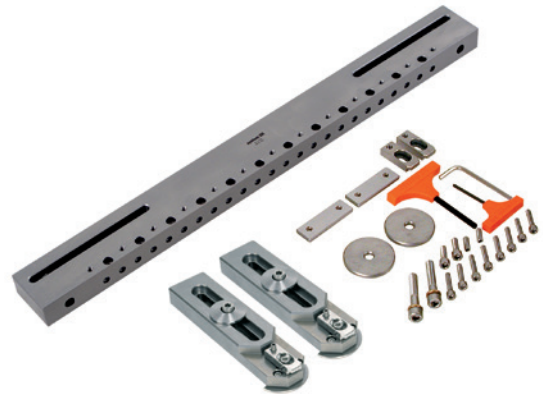
### EconoRuler kit, 3R-209-XXX.2

Note: There are four different kits to choose between.  
350 mm, 610 mm, 860 mm or 960 mm EconoRuler length.



### EconoRuler kit, 3R-209-XXX.3

Note: There are four different kits to choose between.  
350 mm, 610 mm, 860 mm or 960 mm EconoRuler length.



### EconoRuler kit, 3R-209-XXX.4

Note: There are four different kits to choose between.  
350 mm, 610 mm, 860 mm or 960 mm EconoRuler length.

